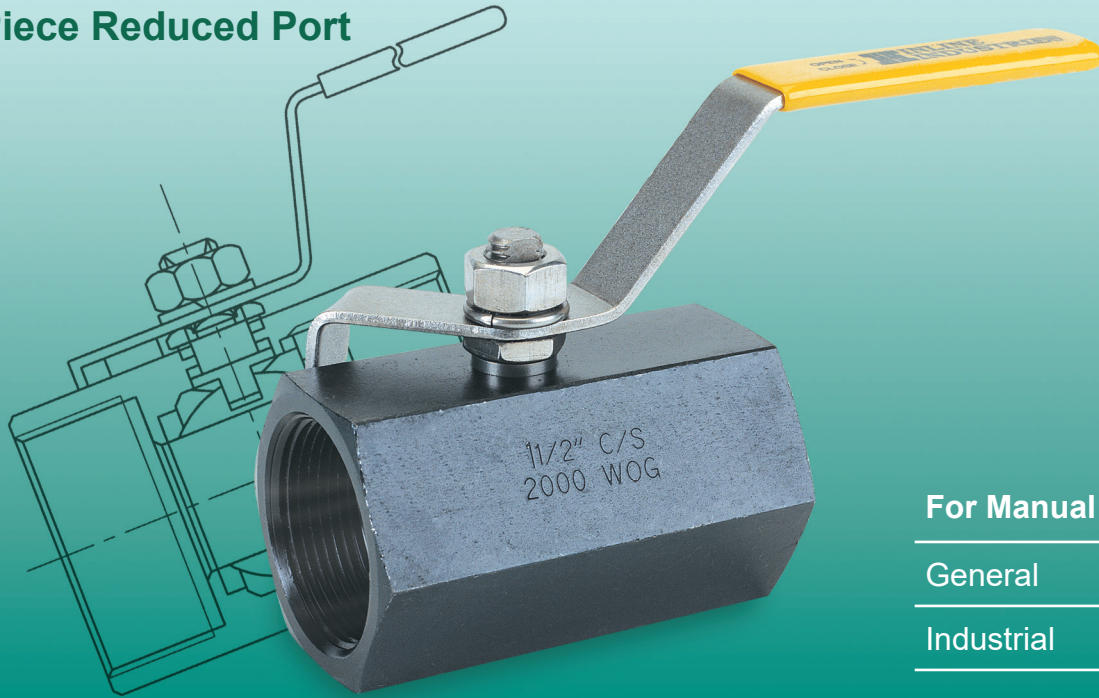


103R Ball Valve

1-Piece Reduced Port



For Manual Service

General

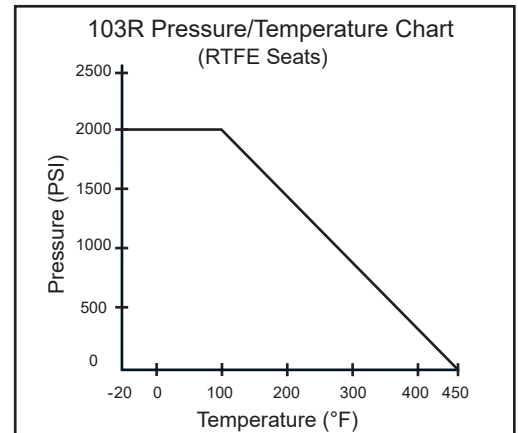
Industrial

Standard Features and Benefits

- **Economical 1-Piece Design**
- **High Pressure Barstock Construction**
Body and seals designed to perform under greater loads than standard 1-piece ball valves
- **Blow-Out-Proof Stem**
- **Corrosion Resistant Trim**
Stem and ball are made of corrosion resistant stainless steel for trouble-free service and long life
- **Positive Handle Stop**
Valve uses body as a positive handle stop to ensure consistent 90° rotation

Options

- **Material Test Reports Available Upon Request**
- **Carbon Steel Body to NACE MR0175/ISO 15156**

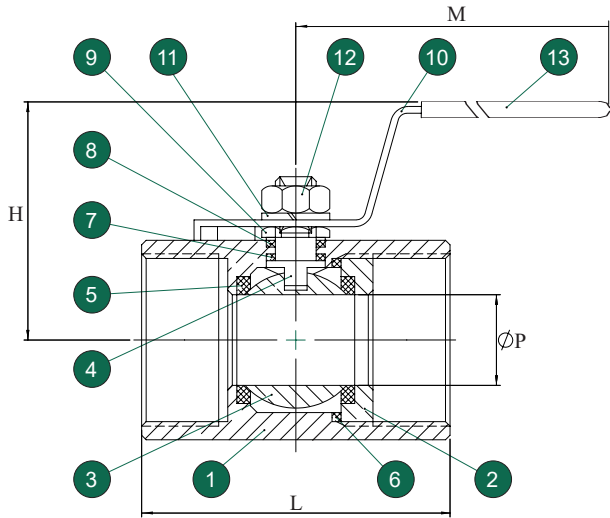


Operating Conditions

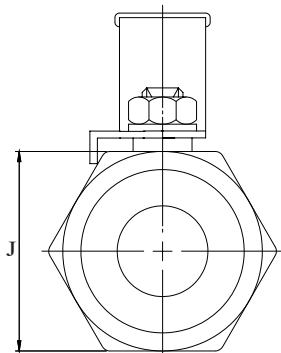
- **Temperature Range (RTFE):**
-20°F ~ 450°F
- **Maximum Pressure (RTFE):**
2000 PSI CWP

Specifications

- All valves designed and pressure tested in accordance with ASME B16.34, API 598 and MSS-SP-110
- All materials comply with applicable ASTM material specifications



Valve Components			
No.	Part Name	Material	Qty
1	Body	S25C CS	1
2	Insert	S25C CS	1
3	Ball	304 SS	1
4	Stem	304 SS	1
5	Seat	RTFE (15% G.F.)	2
6	Body Seal	PTFE	1
7	Thrust Washer	PTFE	1
8	Stem Packing Set	PTFE	1
9	Packing Gland	304 SS	1
10	Handle	304 SS	1
11	Split Lock Washer	304 SS	1
12	Handle Nut	304 SS	1
13	Handle Cover	Vinyl	1



Size	Dimensions (Inches)					Weight (lbs)
	L	P	M	H	J	
1/4"	1.71	0.20	2.4	1.1	0.67	0.2
3/8"	1.89	0.28	3.2	1.4	0.83	0.3
1/2"	2.20	0.36	4.1	2.6	0.99	0.6
3/4"	2.56	0.49	4.2	2.7	1.22	0.9
1"	3.05	0.59	4.7	3.0	1.50	1.1
1 1/4"	3.62	0.79	5.8	3.1	1.90	3.0
1 1/2"	3.78	0.98	5.8	3.4	2.09	3.1
2"	4.49	1.26	5.9	3.9	2.67	5.9

103R Ordering Information

Example: 2" Ball Valve with Lever Handle, Carbon Steel Body and 304 SS Trim, RTFE (15% G.F.) Seats and PTFE Seals, NPT Ends

Valve Series	Valve Size	Body Material	End Material	Ball Material	Stem Material	Seat	Seal	End Connection	Port	Ball Configuration
103R - Reduced Port	2 3 5 7 A B C D	2 - S25C (CS)	2 - S25C (CS)	4 - 304 SS	4 - 304 SS	R - RTFE (15% G.F.)	T - PTFE	T - NPT	2 - 2 Way	S - Straight Port

Due to continuous product development, information may change without notice.



INLINE INDUSTRIES, INC.

9056 Garvey Avenue
Rosemead, CA 91770

Tel: (800) 568-8998
(626) 813-6188

Fax: (626) 813-6186

www.ballvalve.com
info@ballvalve.com

Distributed by: